

COMBO MODULE ITR5XX SERIES



DESCRIPTION

The combo actuator is a KNX certified device available with 4, 8, 12, 16, 20 and 24 channels.

Modules are supplied over KNX bus and do not need any other external power supply.

The communication of the devices via the KNX bus enables information exchanges with KNX sensors and the integration with a building management system.

Outputs of combo module can be configured to different functionalities depending on the project needs, therefore supports many combinations.

CONFIGURATION

The complete configuration of the device is performed via ETS3 or higher.

Depending on the ETS configuration and settings the product feature will be different.

FUNCTIONS

- Lighting.
- Heating.
- Shutter and Blind.
- Shutter and Blind 24V.
- Fan Coil 2 pipes.
- Fan Coil 4 pipes.

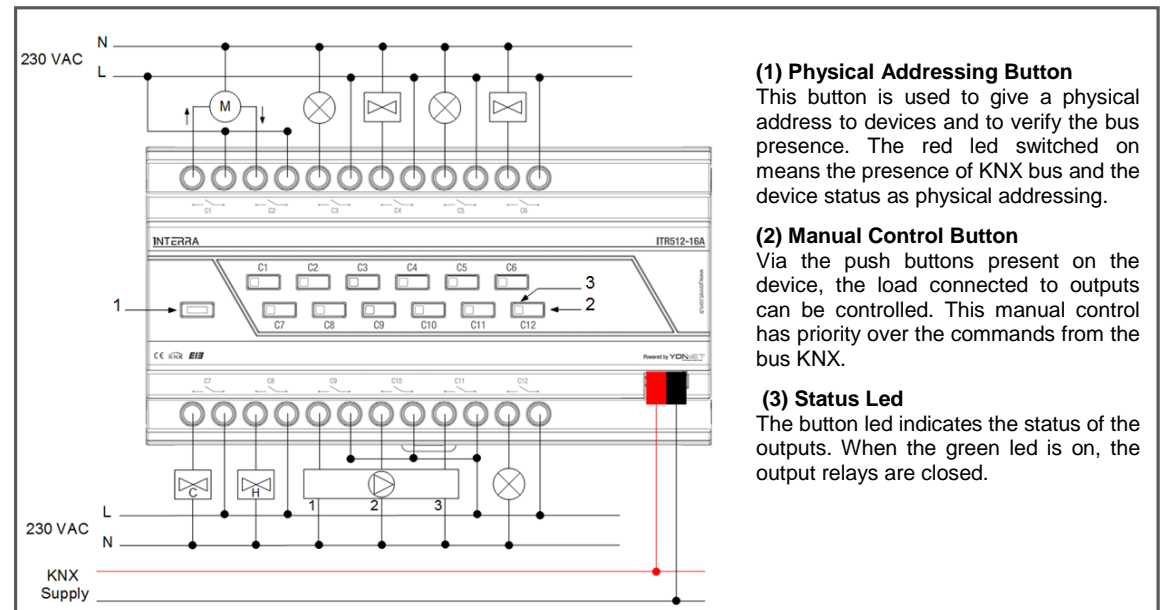
The functionalities for each output include among other things timing functions, logic gates, scenes, disabling function, forced, working hours counter, periodical monitoring and different configurations for feedback telegrams.

Last situation memory against power failure.

TECHNICAL DATA

Device*	ITR5XX-16A	
Power Supply	EIB Power Supply	
Power Consumption	Maximum 0.3W	
Number of outputs	4, 8, 12, 16, 20 or 24	
Output Current	See Appendix A	
Mode of commissioning	S-Mode	
Type of protection	IP 20	
Temperature Range	Operation	(- 10°C ...70 °C)
	Storage	(- 25°C ...100 °C)
Maximum air humidity	<90 RH	
Flammability	Non-flammable product	
Mounting	DIN Rail	
Dimensions	4 / 8 outs	105x90x64 mm (WxHxD) → 6 DIN units
	12 / 16 outs	171x90x64 mm (WxHxD) → 10 DIN units
	20 / 24 outs	274x90x64 mm (WxHxD) → 15 DIN units
Certification	EIB-Certified	

*XX=4, 8, 12, 16, 20 or 24.



(1) Physical Addressing Button

This button is used to give a physical address to devices and to verify the bus presence. The red led switched on means the presence of KNX bus and the device status as physical addressing.

(2) Manual Control Button

Via the push buttons present on the device, the load connected to outputs can be controlled. This manual control has priority over the commands from the bus KNX.

(3) Status Led

The button led indicates the status of the outputs. When the green led is on, the output relays are closed.

APPENDIX A: RELAY CHARACTERISTICS

RELAY TYPE	16A@250VAC, 100A inrush
Incandescent lamp	1500 W 20 000 Cycles
Halogen lamps	1500 W 20 000 Cycles
Fluorescent tubes not compensated	Load not recommended
Fluorescent tubes connected in parallel	Load not recommended
Compact fluorescent lamps	5 lamps of max 20W 20 000 Cycles
LEDs	5 lamps of max 20W 20 000 Cycles
Halogen lamps VLV with ferromagnetic or electronic ballasts	900 VA - 20 000 Cycles
Fluorescent tubes with electronic ballasts (Mono + duo)	700 W - 20 000 Cycles
Shutter motors (cos phi=0,6)	6 A - 20 000 Cycles
Fan coil motors (cos phi=0,6)	4 A - 50 000 Cycles
Minimal switching capacity	100mA 5 V DC

RELAY TYPE	16A@250VAC, 165A inrush
Incandescent lamp	1500 W 30 000 Cycles
Halogen lamps	1500 W 30 000 Cycles
Fluorescent tubes not compensated	800 W 30 000 Cycles
Fluorescent tubes connected in parallel	600 W 30 000 Cycles
Compact fluorescent lamps	10 lamps of max 20W 30 000 Cycles
LEDs	10 lamps of max 20W 30 000 Cycles
Halogen lamps VLV with ferromagnetic or electronic ballasts	1500 VA - 30 000 Cycles
Fluorescent tubes with electronic ballasts (Mono + duo)	450 W - 30 000 Cycles
Shutter motors (cos phi=0,6)	-
Fan coil motors (cos phi=0,6)	-
Minimal switching capacity	-